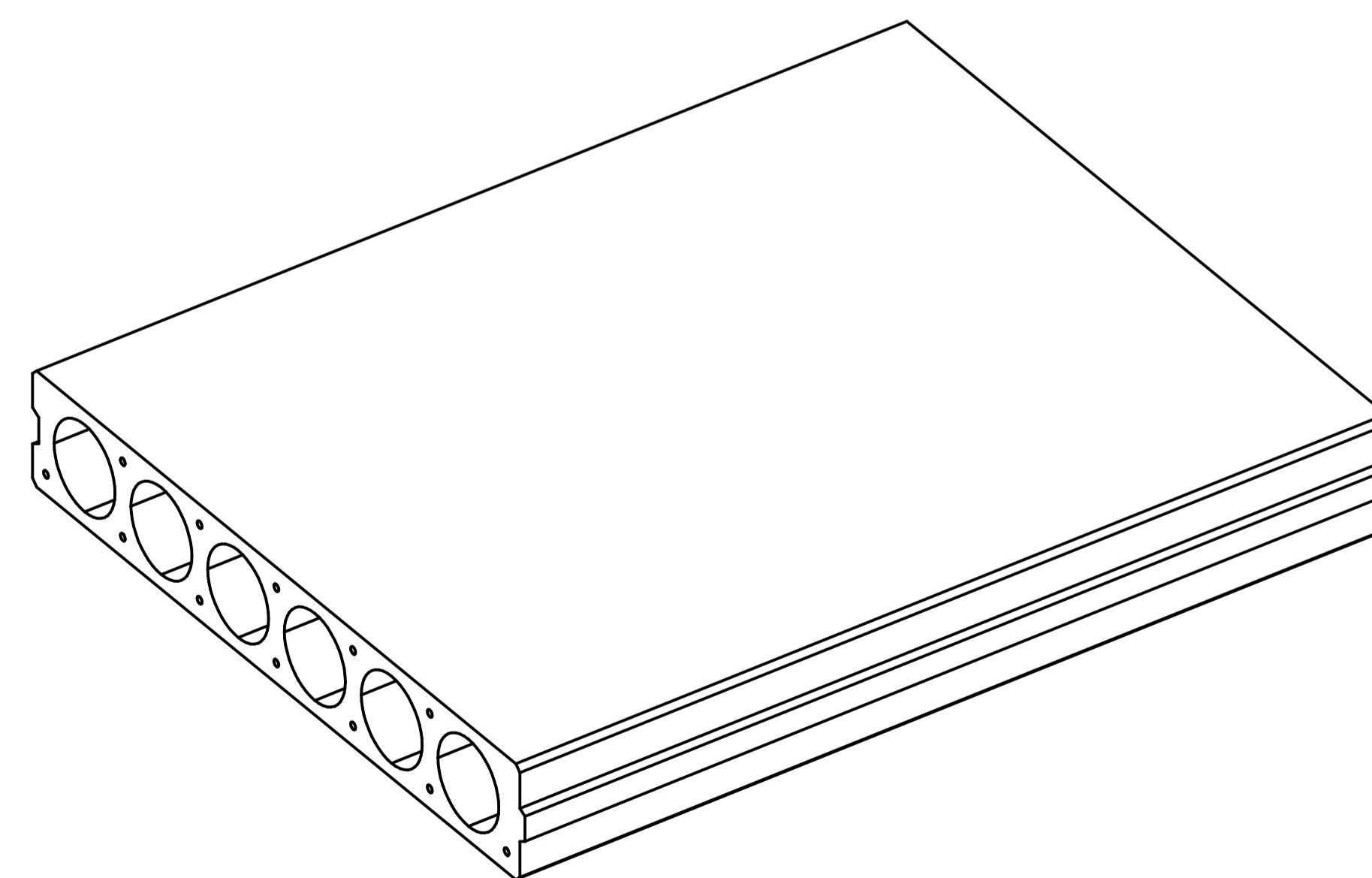
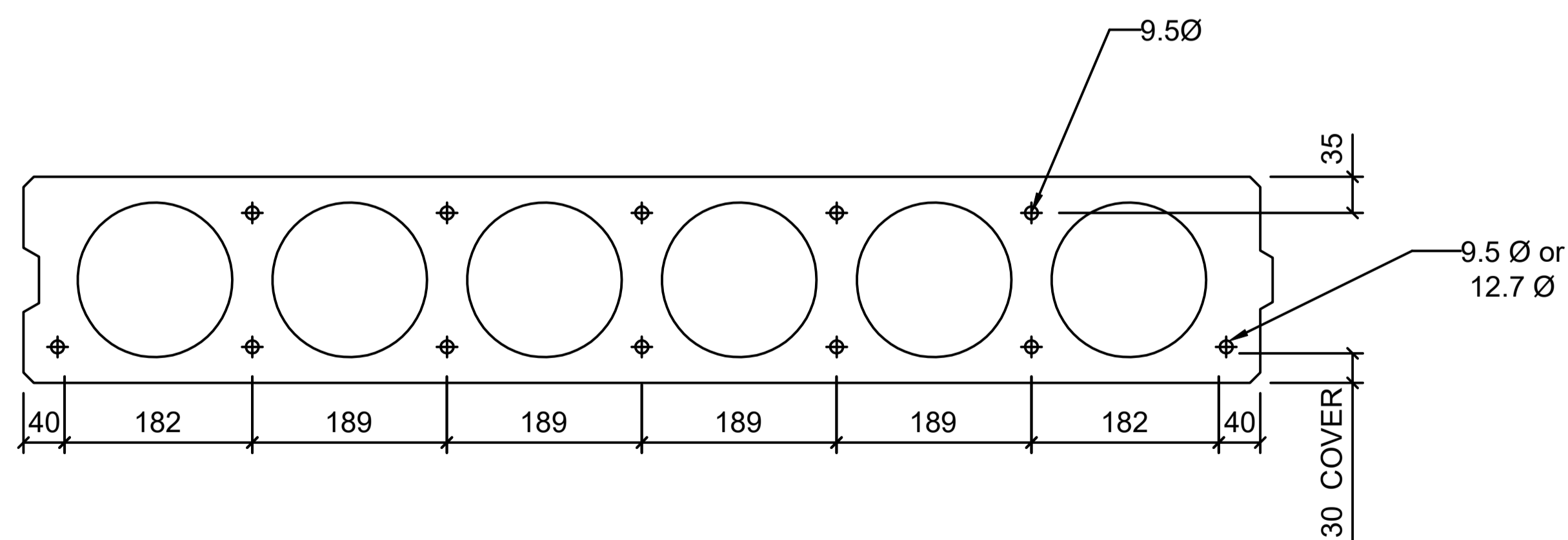



Area of Cross Section	0.1333	mm <sup>2</sup>
Theoretical Weight (per metre)	330	kg/m
Theoretical Weight	275	kg/m <sup>2</sup>
Density (in calculation)	2500	kg/m <sup>3</sup>



ISSUED FOR CONSTRUCTION	PN	0	10.05.2021
DESCRIPTION	BY	REV	DATE
			
<small>ABN: 62 005 736 005 010 PHONE: 08 6499 0500 precast@bgc.com.au</small>			
PROJECT:			
TITLE: <b>HOLLOWCORE WALL 200</b>			
DRAWN:	SW	JOB	
CHECKED:	DJ	DRAWING	REV
SCALE:	HC 200W		0