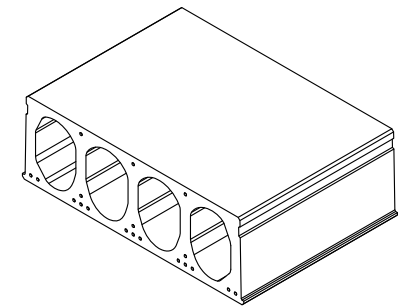
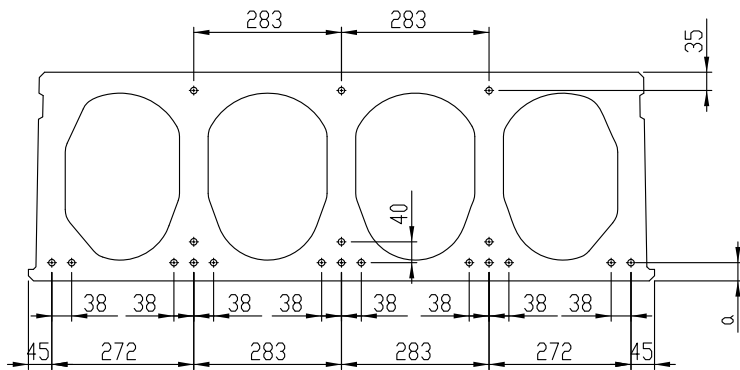


|                                    |      |                   |
|------------------------------------|------|-------------------|
| Area of Cross Section              | 2268 | cm <sup>2</sup>   |
| Theoretical Weight                 | 454  | kg/m <sup>2</sup> |
| Theoretical Weight (joints filled) | 483  | kg/m <sup>2</sup> |
| Theoretical Weight (per metre)     | 545  | kg/m              |
| Density (in calculation)           | 2400 | kg/m <sup>3</sup> |



|            |                    |                   |        |         |             |                |               |
|------------|--------------------|-------------------|--------|---------|-------------|----------------|---------------|
| Scale      | Dwg type           | Total weight      | kg     |         |             |                |               |
| 1:5        | SolidWorks Drawing | Material weight   | kg     | A       | 1           | Dimensions     | 24.08.09 LET  |
|            | Dwg size           |                   |        | Rev.    | Times       | Change         | Date Name     |
|            | A3L                |                   |        |         |             |                |               |
| Measures   | Surface texture    | General tolerance | Drawn  |         |             |                | Dwg No. HC400 |
| mm         | Ra                 |                   | Check. |         |             |                |               |
|            | (µm)               |                   | Appr.  |         |             |                |               |
| Valmistus! |                    | Part              | pcs    | Job No. | Description | HOLLOWCORE 400 |               |
| Belongs to |                    |                   |        |         |             |                |               |
| Mon. Code  | K                  |                   |        |         |             |                |               |
| DEM Code   |                    |                   |        |         |             |                |               |

Drawing has pages 1,