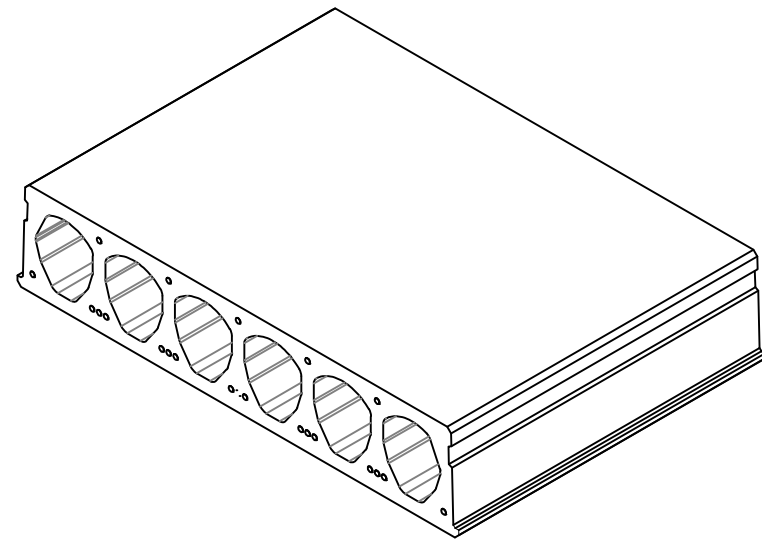



Area of Cross Section	0.1579	mm ²
Theoretical Weight (per metre)	395	kg/m
Theoretical Weight	329	kg/m ²
Density (in calculation)	2500	kg/m ³



ISSUED FOR CONSTRUCTION	DJ	0	16.01.2019
DESCRIPTION	BY	REV	DATE
 ABN: 62 005 736 005 010 PHONE: 08 6499 0500 precast@bgc.com.au			
PROJECT:			
TITLE:			
HOLLOWCORE 250			
DRAWN:	SW	JOB	
CHECKED:	DJ	DRAWING	REV
SCALE:	HC 250		0