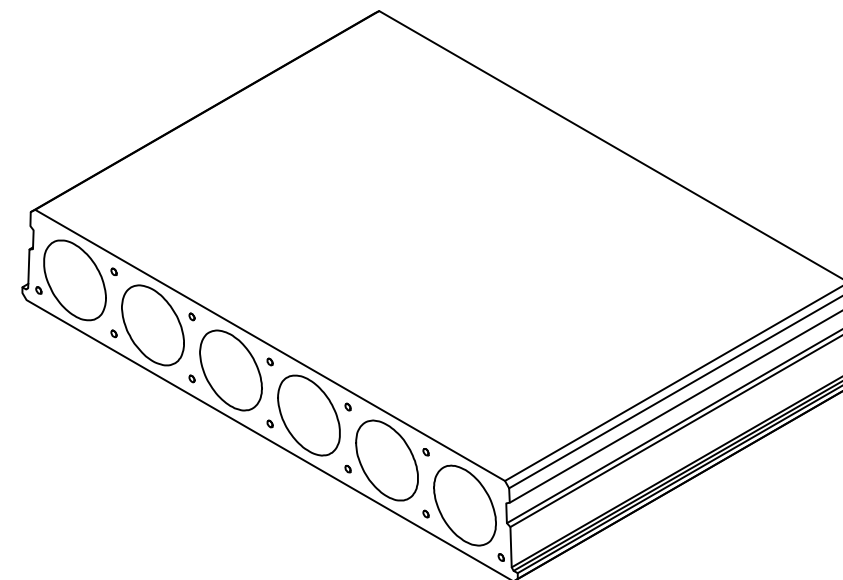
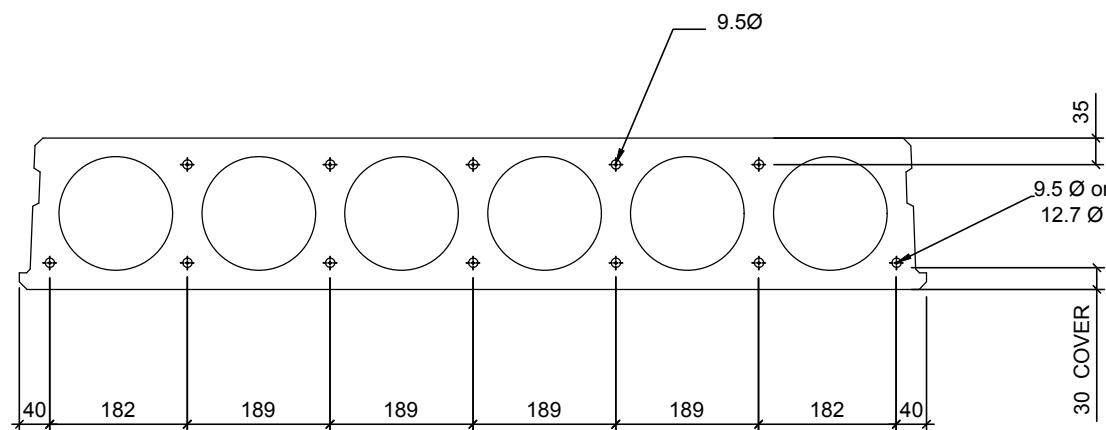



Area of Cross Section	0.1268	mm <sup>2</sup>
Theoretical Weight (per metre)	317	kg/m
Theoretical Weight	264	kg/m <sup>2</sup>
Density (in calculation)	2500	kg/m <sup>3</sup>



ISSUED FOR CONSTRUCTION				DJ	0	16.01.2019
DESCRIPTION				BY	REV	DATE
				ABN: 62 005 736 005 010 PHONE: 08 6499 0500 precast@bgc.com.au		
PROJECT:						
TITLE: <b>HOLLOWCORE 200</b>						
DRAWN: SW		JOB				
CHECKED: DJ		DRAWING			REV	
SCALE:		HC 200			0	