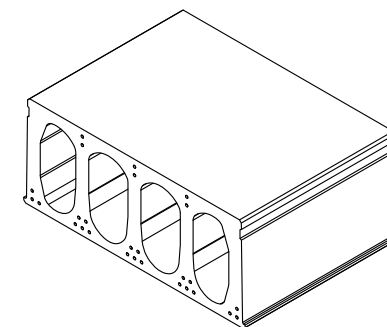


Area of Cross Section	2967	cm ²
Theoretical Weight	593	kg/m ²
Theoretical Weight (joints filled)	629	kg/m ²
Theoretical Weight (per metre)	712	kg/m
Density (in calculation)	2400	kg/m ³



Scale	Dwg type	Total weight	kg						
1:5	SolidWorks Drawing	Material weight	kg	Rev.	Times	Change	Date	Name	
	Dwg size	Drawn							
	A3L	Check.							
Measures mm	Surface texture	Appr.							
	General tolerance								
	Ra / (µm)								
Valmistus!		Part		pcs		Job No.		Description	
Belongs to								HOLLOWCORE 500	
Mon. Code		K						Dwg No. HC500	
DEM Code									

Drawing has pages 1,