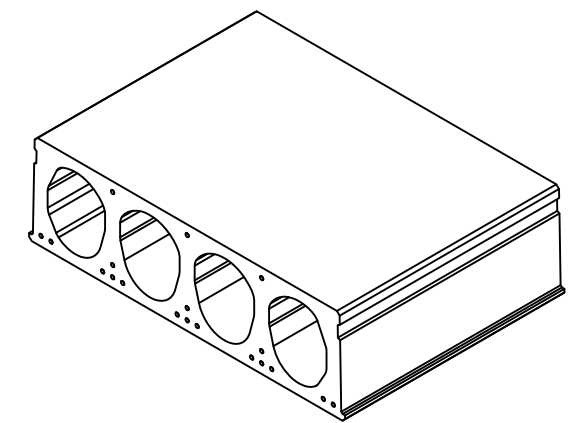
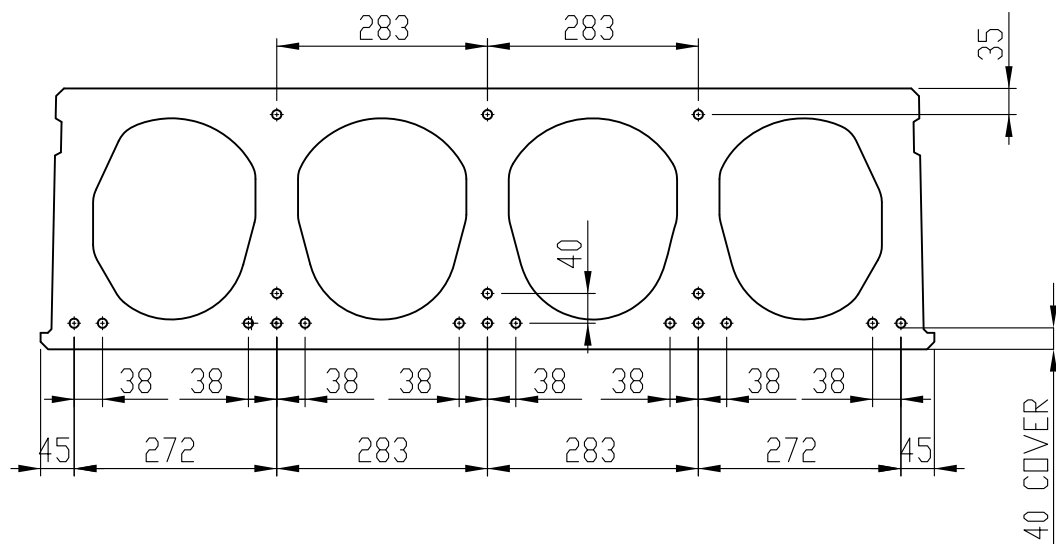


Area of Cross Section	2117	cm ²
Theoretical Weight	428	kg/m ²
Theoretical Weight (joints filled)	453	kg/m ²
Theoretical Weight (per metre)	514	kg/m
Density (in calculation)	2400	kg/m ³



Scale 1:5	Dwg type SolidWorks Drawing	Total weight kg					
	Dwg size A3L	Material weight kg	Rev.	Times	Change	Date	Name
Measures mm	Surface texture Ra (µm)	General tolerance	Drawn	13.02.15			Dwg No. HC350
			Check.				
			Appr.				
Belongs to Man. Code K		Part	pcs	Job No.	Description	HOLLOWCORE 350	
OEM Code							

Drawing has pages 1,