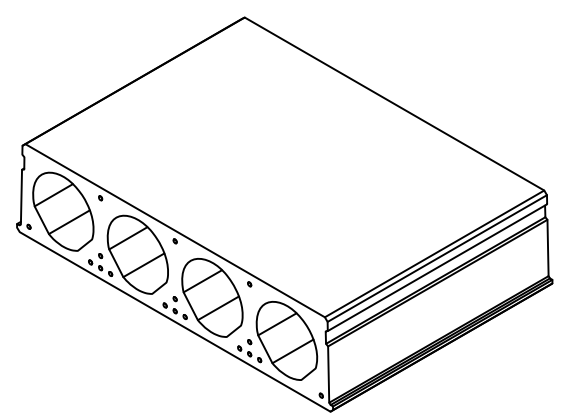
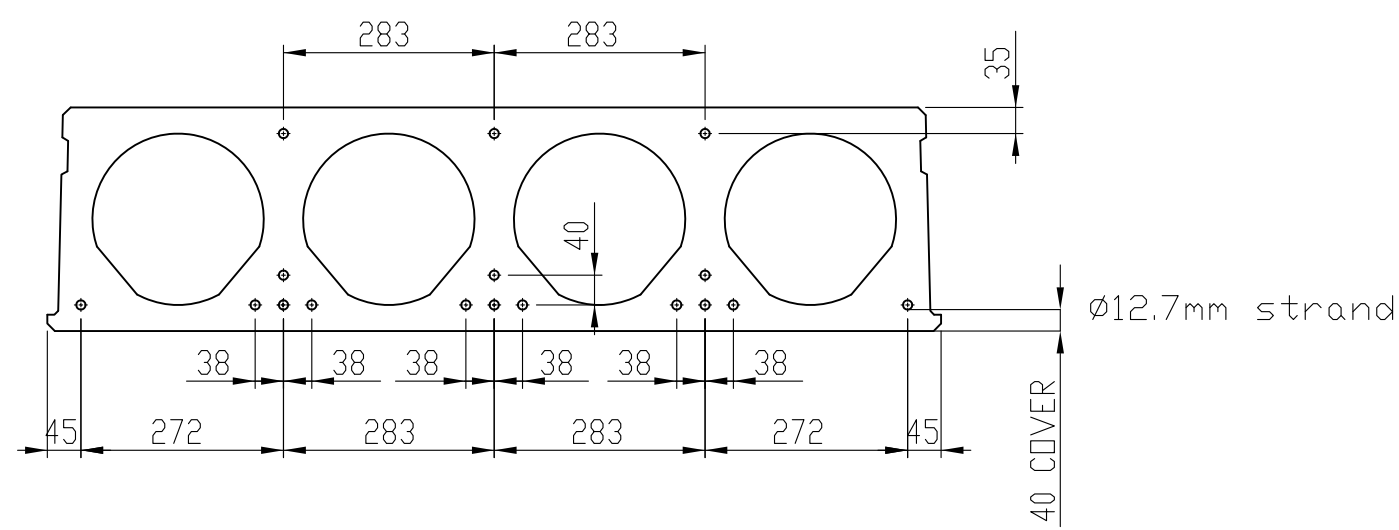


Area of Cross Section	1846	cm ²
Theoretical Weight	373	kg/m ²
Theoretical Weight (joints filled)	420	kg/m ²
Theoretical Weight (per metre)	478	kg/m
Density (in calculation)	2400	kg/m ³



Scale	Dwg type	Total weight	kg						
1:5	SolidWorks Drawing								
	Dwg size	Material weight	kg	Rev.	Times	Change	Date	Name	
	A3L								
Measures	Surface texture	General tolerance	Drawn	13.02.15			Dwg No. HC300		
mm	Ra		Check.						
	(µm)		Appr.						
			Part	pcs	Job No.	Description	HOLLOWCORE 300		
Belongs to									
Man. Code	K								
OEM Code									

Drawing has pages 1,